

MM200

FREQUENCY-AGILE UHF MINIATURE BELT-PACK TRANSMITTER

OPERATING INSTRUCTIONS and trouble-shooting guide

LECTROSONICS, INC.

Rio Rancho, NM
www.lectrosonics.com

TABLE OF CONTENTS

INTRODUCTION	3
GENERAL TECHNICAL DESCRIPTION	3
CONTROLS AND FUNCTIONS	6
BATTERY INSTALLATION	8
OPERATING INSTRUCTIONS	8
OPERATING NOTES	8
ADJUSTING THE TRANSMITTER FREQUENCY	9
MICROPHONE RF Bypassing	9
TROUBLESHOOTING	10
SPECIFICATIONS AND FEATURES	11
SERVICE AND REPAIR	12
RETURNING UNITS FOR REPAIR.....	12
WARRANTY	Back cover

The MM200 transmitter is FCC type accepted under Part 74: 536-608 MHz and 614-806 MHz

WARNING! TO PREVENT INTERNAL CORROSION!

If the transmitter is wet (either due to immersion or high levels of perspiration), BEFORE opening any covers or connectors, carefully blot the transmitter dry with a clean paper towel or cloth. Remove all moisture. After opening any connector or cover, carefully blot up any remaining moisture that may have remained around the seal. THIS IS IMPORTANT! DO NOT CLOSE ANY COVER OR CONNECTOR BEFORE MAKING CERTAIN THERE IS NO MOISTURE IN OR NEAR THE OPENING. After use, it is important to store the transmitter in a dry place with all access doors and connectors opened to allow any internal humidity to evaporate. Specifically, open the battery door, the frequency cover plate and fully unscrew and remove the microphone connector before storing. Do NOT store wet and do NOT store sealed. If moisture is sealed inside the unit it has nowhere to go other than to chemically react with and destroy components and the printed circuit board.

INTRODUCTION

Thank you for selecting the Lectrosonics MM200 frequency agile UHF miniature transmitter. The MM200 combines over 80 years of engineering experience with the very latest components, in a design that addresses the most demanding professional applications.

The design of the MM200 was the direct result of numerous conversations with users, staging and touring companies and dealers across the US. The specific concerns and needs brought up in these conversations led directly to the development of the operational features offered on the MM200. Two hundred fifty six frequencies are user selectable in 100kHz steps to alleviate interference problems in traveling venues.

The MM200 is a rugged, machined stainless steel package with a removable, spring loaded belt clip. 3.3 Volts of bias voltage is available to power electret mics. Level indicating LEDs are provided on the control panel to make level settings quick and accurate, without having to view the receiver. The battery compartment accepts AA alkaline or lithium batteries. The antenna is a detachable, locking $\frac{1}{4}$ wavelength flexible bronze cable that connects to a 50 Ohm SMA port on the transmitter.

Only the MM200 transmitter is covered in this manual. Companion receivers are covered in separate manuals. The transmitter will operate with any 200 Series Lectrosonics receiver in the same frequency group.

The MM200 transmitter uses a Digital Signal Processor to model the dual band compander used in the 200 series with the appropriate compander time constants and frequency division. Since the signals are converted from analog to digital, processed and then converted back to analog, there is a delay as with all digital audio systems. This delay is 1.6 mS or an equivalent audio path length delay of 1.8 ft.

GENERAL TECHNICAL DESCRIPTION

If the unit will be used in a wet environment (possible immersion, perspiration, rain scenes, etc.) – be certain all connectors have intact gaskets and that a properly sealed Lectrosonics’ waterproof mic connector is installed and used with the microphone.

GENERAL

The 200 system uses 75kHz wide deviation for an extremely high signal to noise ratio. The switching power supplies provide constant voltages to the transmitter circuits from the beginning (1.5 Volts) to the end (0.85 Volts) of battery life. The input amplifier uses an ultra low noise op amp for quiet operation. It is gain controlled with a wide range dual envelope input compressor which cleanly limits input signal peaks over 30dB above full modulation.

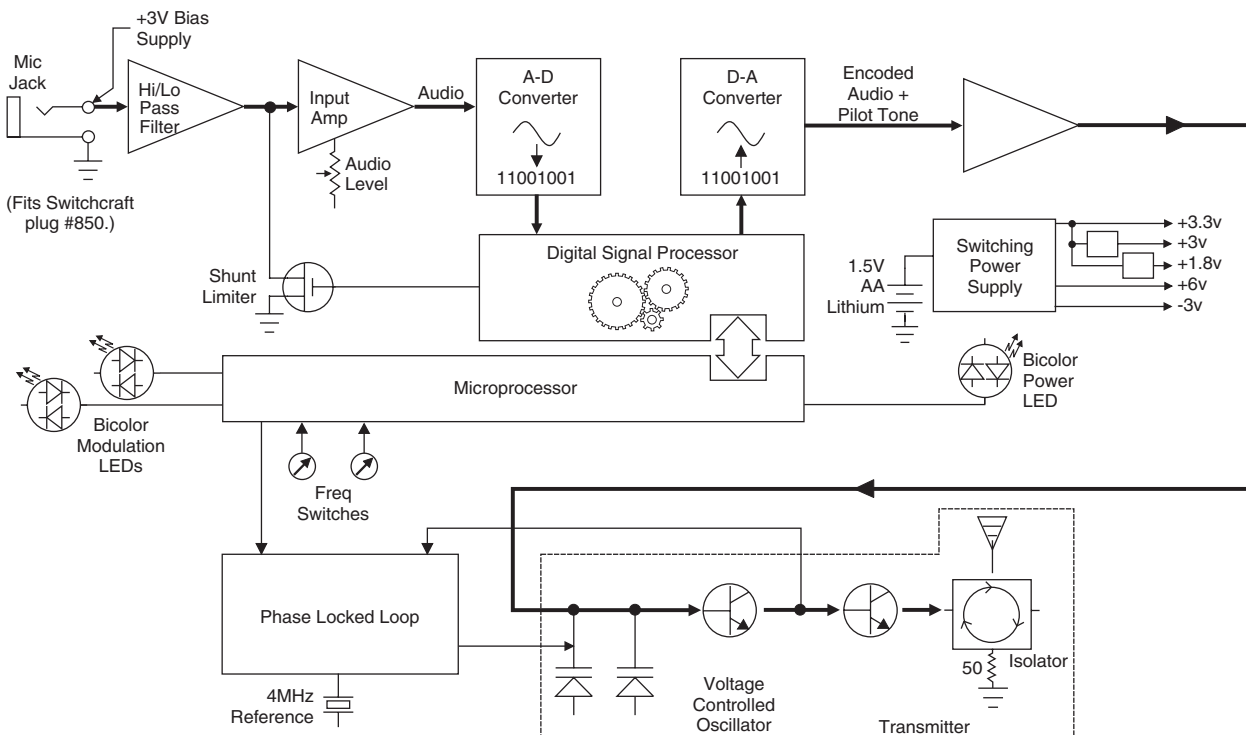
DUAL BAND COMPANDOR MODELING in the MM200

Traditionally, compandors have been a source of distortion in wireless microphone systems. The basic problem with conventional systems is that the attack and decay times are always a compromise. If the time constants are fast, high frequency transients will not be distorted, but this will cause low frequency distortion. If the time constants are slower, low frequency audio distortion will be low, but high frequency transients will then be distorted. The 200 system introduces an entirely new approach to solving this basic problem, called “dual-band companding.”

There are actually two separate compandors in the 200 system, one for high frequencies and one for low frequencies. A crossover network separates the frequency bands at 1kHz with a 6dB per octave slope, followed by separate high and low frequency compandors. The attack and release times in the high frequency compandor are fast enough to keep high frequency transient distortion at a low level, and the low frequency compandor uses slower time constants, reducing low frequency distortion to well below that of a conventional compandor.

NO PRE-EMPHASIS/DE-EMPHASIS

The signal to noise ratio of the 200 system is high enough to preclude the need for conventional pre-emphasis (HF boost) in the transmitter and de-emphasis (HF roll off) in the receiver. Pre-emphasis and de-emphasis in an FM radio system usually provides about a 10dB improvement in the signal to noise ratio of the system, but the high frequency boost in the transmitter must be removed in a purely complementary manner or else the frequency response of the original audio signal will be altered.



MM200 Block Diagram

Pre-emphasis can also cause distortion in the receiver. As this signal is passed through the IF filters in the receiver, distortion can be produced, most noticeable at full modulation. De-emphasis cannot be applied until the signal is converted into audio, so there is no way around this problem short of eliminating pre-emphasis altogether. Neither of these problems occur in the 400 system. The dual-band compandor in the modeled 200 Series system essentially provides a dynamic pre-emphasis/de-emphasis function with low distortion.

LOW FREQUENCY ROLL-OFF

A 12 dB per octave low frequency roll-off is provided in the audio section, with the -3dB point at 70 Hz. The actual roll-off frequency will vary somewhat according to the low frequency response of the mic capsule being used.

The low frequency roll-off is used to remove subsonic (or very low frequency) audio, often produced by air conditioning systems, automobile traffic and other sources from the audio signal. Excessive low frequency content in the audio input can cause a variety of audio problems including driving the transmitter into limiting. In sound reinforcement systems, as one instance, excessive low frequency content can cause excessive power amplifier drain or even damage to loudspeaker systems.

PILOT TONE SQUELCH

The 200 system utilizes an ultrasonic tone that modulates the carrier to operate the receiver squelch. The “pilot tone” frequency is 32.765 kHz which is low enough to be passed by the system but not so low that it can be heard. The pilot tone squelch system will keep the receiver muted until it receives the pilot tone from the matching transmitter, even if a strong RF signal is present on the carrier frequency of the system.

WIDE-BAND DEVIATION

± 75 kHz deviation improves the capture ratio, signal to noise ratio and AM rejection of a wireless system dramatically, compared to the more commonly used ± 15 kHz deviation.

BATTERY LIFE

Switching power supplies throughout the design allow about 4.5 hours of operation using a single AA lithium battery. (An alkaline or NiMh AA battery will provide about 2 hours of operation.) The battery contacts are spring loaded to prevent “rattle” as the unit is handled.

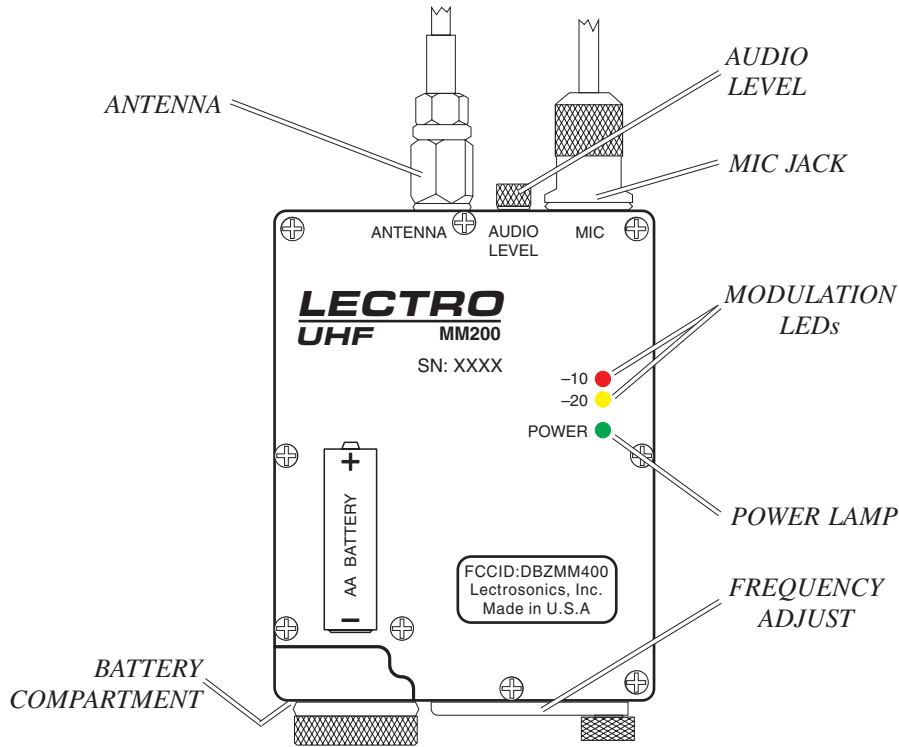
FREQUENCY AGILITY

The transmitter section uses a synthesized, frequency selectable main oscillator. The frequency is extremely stable over a wide temperature range and over time. Two rotary switches, located on the side panel of the unit, provide 256 frequencies in 100kHz steps over a 25.5MHz range. This alleviates carrier interference problems in mobile or traveling applications.

CIRCULATOR

The RF output circuit includes a one way circulator/isolator using a magnetically polarized ferrite. This device greatly reduces RF intermodulation produced when multiple transmitters are used at separations of less than five feet. It also provides additional RF output stage protection but is rarely seen in a wireless microphone transmitter due to its high cost.

CONTROLS AND FUNCTIONS



MIC JACK

The Microplug (2.5 mm) input on the transmitter accommodates 2 wire positive bias lavalieres. A waterproof mic connector is available from Lectrosonics as an assembly kit. A Switchcraft 850 connector can be used in an emergency though it is not waterproof. *See the separate sheet titled "Waterproof Microplug Wiring" regarding the correct connections for various microphones, and other sources.*

ON/OFF SWITCH

There is no on/off switch for this unit. Simply remove the battery to turn the unit off. There will be a thump in the receiver when the transmitter battery is removed, so turning the received audio off in the main sound system may be necessary.

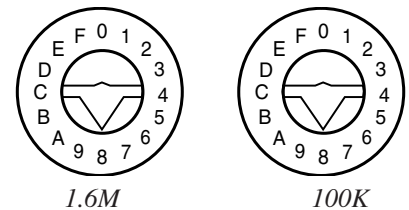
"POWER" LAMP

Glows green when the battery is good. When the lamp glows red, there is about 30 minutes of operation left with the recommended lithium battery. An alkaline battery will have about 20 minutes of life left. The lamp will flash red when there are only a few minutes of life. A NiMh battery will give little or no warning when it is depleted. If you wish to use NiMh batteries in the MM200, we recommend trying fully charged batteries in the unit, noting the length of time that the batteries will run the unit and in the future use somewhat less than that time to determine when the battery needs to be replaced. A weak battery will sometimes light the POWER LED to the "good" green indication immediately after being put in the unit, but will soon discharge to the point where the LED will go red or shut down, just like a flashlight with "dead" batteries.

FREQUENCY ADJUST

These two rotary switches adjust the center frequency of the carrier. The 1.6M is a coarse adjustment and the 100K is the fine adjustment.

Unscrew the knurled knob a few turns to loosen the water tight cap to gain access to the two frequency switches.



MODULATION LEDS

Indicate the proper setting of the MIC LEVEL control. There are two bicolor modulation LEDs that can light either red or green.

“-20dB level” One modulation LED glows green and the transmitter is 20 dB below full modulation.

“-10 dB level” Both modulation LEDs glow green and the transmitter is close to full modulation.

“+0 dB level” -20 LED is red. The transmitter is in slight limiting and is fully modulated. This is probably desirable. See the discussion below.

“+10 dB level” Both LEDs are red. The transmitter is in limiting and you may want to reduce the transmitter audio gain. See the discussion below.

The MM200 transmitter employs a digitally-controlled analog audio limiter just before the analog-to-digital converter. The limiter has a range of more than 30dB for excellent overload protection. A dual release envelope makes the limiter acoustically transparent while maintaining low distortion. It can be thought of as two limiters in series, connected as a fast attack and release limiter followed by a slow attack and release limiter. The limiter recovers quickly from brief transients, so that its action is hidden from the listener, but recovers slowly from sustained high levels, to both keep audio distortion low and preserve short term dynamic changes.

The audio level LEDs indicate limiter activity. The first red LED indicates that the limiter is active and that the transmitter is fully modulated (audio level is between +0 and +10 dB). The second red LED indicates that the level is 10dB or more into limiting. Occasional forays into the red are desirable for most applications, since the distortion introduced by the limiter is so minimal, and full modulation is thus assured. We strongly recommend setting the gain of the transmitter high enough so that the first red LED occasionally lights.

Generally speaking, some limiting is desirable in normal operation to improve the signal to noise ratio of the system. The limiting action is not audible and does not create distortion. A highly trained ear would hear only the compression of the peaks in the audio signal, which is desirable with most recorders and many sound reinforcement systems.

AUDIO LEVEL

Used to adjust the audio input level for the proper modulation.

ANTENNA

The flexible bronze cable antenna supplied with the transmitter is cut to $\frac{1}{4}$ wavelength of the center of the frequency block (the frequency range) of the transmitter. It is removable via an SMA connector. The SMA connector is a 50 Ohm RF port which can also be connected directly to test equipment. Replacement antennas are available in pre-cut lengths for specific frequency blocks, or as a kit with instructions to cut the antenna for any frequency block.

THE BELT CLIP

The belt clip may be removed for special applications by gently spreading the spring wire clip and pulling the ends out of the holes in the case. The clip can be installed in two positions so that when worn, the antenna can be pointing up or down.

BATTERY INSTALLATION

The transmitter is powered by a standard lithium, NiMh or alkaline AA 1.5 Volt battery. Standard zinc-carbon batteries marked “**heavy-duty**” or “**long-lasting**” will not work. NiMh rechargeable batteries will only provide 2 hours of operation but will run down quite abruptly. Alkaline batteries provide over 2 hours of operation with some warning. Lithium batteries can be used to provide up to 4.5 hours. The battery status circuitry is designed for the voltage drop over the life of lithium batteries.

To open the battery compartment, unscrew the battery door. Remove the door and take note of the polarity marked on the case showing the location of the positive (+) and negative (-) terminals. You can see the small contact hole inside the battery compartment with the door open.

Insert the battery correctly and close the cover by screwing the door shut. If the battery is inserted incorrectly, the door will not screw in easily and the unit will not work.

OPERATING INSTRUCTIONS

- 1) Insert the microphone plug into the input jack, aligning the pins; be sure that the connector locks in.
- 2) Attach the antenna to the SMA connector on the top of the transmitter.
- 3) Mute the sound system.
- 4) Install a fresh battery according to the instructions above.
- 5) Position the microphone in the location you will use in actual operation.
- 6) While speaking or singing at the same voice level that will actually be used, observe the MODULATION LEDs. Adjust the AUDIO LEVEL control until the LEDs begin to light. Start at a low setting where neither LED lights as you speak. Gradually, turn the gain up until the -20 dB LED lights green and then the -10 dB lights green. We strongly recommend setting the gain of the transmitter even higher so that the first red LED occasionally lights.
- 7) Once the gain has been adjusted, the audio system audio can be turned on to make level adjustments in the main audio system.

OPERATING NOTES

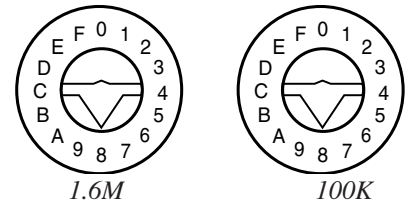
The AUDIO LEVEL control should not be used to control the volume of your sound system or recorder levels. This gain adjustment matches the transmitter gain with the user’s voice level and microphone positioning.

If the audio level is too high — both red LEDs will light frequently or stay lit. This condition may reduce the dynamic range of the audio signal.

If the audio level is too low — neither LED will light, or the -20 LED will light green. This condition may cause hiss and noise in the audio. Different voices will usually require different settings of the AUDIO LEVEL control, so check this adjustment as each new person uses the system. If several different people will be using the transmitter and there is not time to make the adjustment for each individual, adjust it for the loudest voice.

ADJUSTING THE TRANSMITTER FREQUENCY

If you are experiencing interference from another signal on your frequency, you may want to change the operating frequency of your system. The left switch changes the operating frequency by 1.6 MHz per step and the right switch changes it 100 kHz per step. If you are experiencing interference, change the operating frequency in 100 kHz steps to find a clear channel. If it is not possible to find a clear channel using the 100 kHz switch, return it to its original position and change the 1.6 MHz switch by one click then try the 100 kHz switch again.



To gain access to these switches, unscrew the retaining bolt that holds the access door to the case. It is not necessary to remove the bolt from the case since it is retained by the case with enough room to still remove the access door. Pull the access door away from the case and swing the door to the side to gain access to the frequency switches.

MICROPHONE RF BYPASSING

Some mics require RF protection to keep the radio signal from affecting the capsule, even though the transmitter input circuitry is already RF bypassed.

If the mic is wired as directed, and you are having difficulty with squealing, high noise, or poor frequency response; RF is likely to be the cause.

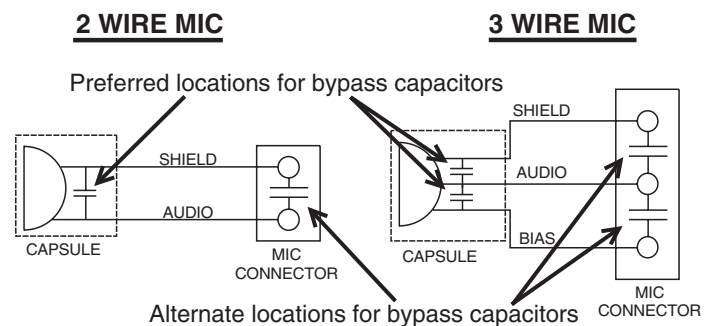
The best RF protection is accomplished by installing RF bypass capacitors at the mic capsule. If this is not possible, or if you are still having problems, capacitors can be installed on the mic wires inside the TA5F connector housing.

Install the capacitors as follows: Use 330 pF capacitors. Capacitors are available from Lectrosonics. Please specify the part number for the desired lead style.

Leaded capacitors: P/N 15117

Leadless capacitors: P/N SCC330P

All Lectrosonics lavalier mics are already bypassed and do not need any additional capacitors installed for proper operation.



TROUBLESHOOTING

Before going through the following chart, be sure that you have a good battery in the transmitter. It is important that you follow these steps in the sequence listed.

SYMPTOM	POSSIBLE CAUSE
TRANSMITTER BATTERY LED OFF	<ol style="list-style-type: none"> 1) Battery is inserted backwards. 2) Battery is dead.
NO TRANSMITTER MODULATION LEDs	<ol style="list-style-type: none"> 1) Gain control turned all the way down. 2) Battery is in backwards. Check power LED. 3) Mic capsule is damaged or malfunctioning. 4) Mic cable damaged or mis-wired.
RECEIVER INDICATES NO RF	<ol style="list-style-type: none"> 1) Transmitter not turned on. 2) Transmitter battery is dead. 3) Receiver antenna missing or improperly positioned. 4) Transmitter and receiver not on same frequency. Check switches/display on transmitter and receiver. 5) Operating range is too great. 6) Transmitter antenna not connected
NO SOUND (OR LOW SOUND LEVEL), RECEIVER INDICATES PROPER AUDIO MODULATION	<ol style="list-style-type: none"> 1) Receiver output level set too low. 2) Receiver output is disconnected; cable is defective or mis-wired. 3) Sound system or recorder input is turned down.
DISTORTED SOUND	<ol style="list-style-type: none"> 1) Transmitter gain (audio level) is far too high. Check mod level lamps on transmitter and receiver as it is being used. (refer to "Operating Instructions" section for details on gain adjustment) 2) Receiver output may be mis-matched with the sound system or recorder input. Adjust output level on receiver to the correct level for the recorder, mixer or sound system. 3) Excessive wind noise or breath "pops." Reposition microphone and/or use a larger windscreen. 4) Transmitter is not set to same frequency as receiver. Check that frequency select switches on receiver and transmitter match.
HISS AND NOISE -- AUDIBLE DROPOUTS	<ol style="list-style-type: none"> 1) Transmitter gain (audio level) far too low. 2) Receiver antenna missing or obstructed. 3) Transmitter antenna missing. 4) Operating range too great.
EXCESSIVE FEEDBACK	<ol style="list-style-type: none"> 1) Transmitter gain (audio level) too high causing limiting. Check gain adjustment and/or reduce receiver output level. 2) Transmitter too close to speaker system. 3) Mic is too far from user's mouth.

SPECIFICATIONS AND FEATURES

Operating frequencies:	537.600 to 607.900 MHz 614.100 to 793.500 MHz
Frequency selection:	256 frequencies in 100kHz steps
RF Power output:	100 mW (nominal)
Pilot tone:	32.765 kHz; 5kHz deviation
Frequency stability:	± 0.002%
Deviation:	± 75 kHz (max)
Spurious radiation:	90 dB below carrier
Equivalent input noise:	-123 dBV
Input level:	Nominal 2 mV to 300 mV, before limiting. Greater than 1.5V maximum, with limiting.
Input impedance:	2 kOhm
Input compressor:	Soft compressor, >30 dB range
Gain control range:	43 dB; semi-log rotary control
Modulation indicators:	Dual bicolor LEDs indicate modulation of -20, -10, 0, +10 dB referenced to full modulation.
Low frequency roll-off:	-12dB/octave; 70 Hz
Controls:	Front panel knob adjusts audio gain. Rotary switches on bottom panel adjust transmitter frequency.
Audio Input Jack:	2.5 mm Microjack (matches Switchcraft 850 Microplug)
Antenna:	Detachable, flexible bronze wire supplied. 50 Ohm port allows connection to test equipment.
Battery:	1.5 Volt AA lithium recommended
Battery Life:	1.5 hours (alkaline); 4 hours (lithium)
Weight:	7.3 ozs. including battery
Overall Dimensions:	3.03 x 2 x 0.69 inches (not including microphone or antenna)

Emission Designator: 180KF3E

Specifications subject to change without notice.

The FCC requires that the following statement be included in this manual:

This device complies with FCC radiation exposure limits as set forth for an uncontrolled environment. This device should be installed and operated so that its antenna(s) are not co-located or operating in conjunction with any other antenna or transmitter.

SERVICE AND REPAIR

If your system malfunctions, you should attempt to correct or isolate the trouble before concluding that the equipment needs repair. Make sure you have followed the setup procedure and operating instructions. Check out the interconnecting cords and then go through the TROUBLESHOOTING section in the manual

We strongly recommend that you **do not** try to repair the equipment yourself and **do not** have the local repair shop attempt anything other than the simplest repair. If the repair is more complicated than a broken wire or loose connection, send the unit to the factory for repair and service. Don't attempt to adjust any controls inside the units. Once set at the factory, the various controls and trimmers do not drift with age or vibration and never require readjustment. **There are no adjustments inside that will make a malfunctioning unit start working.**

LECTROSONICS service department is equipped and staffed to quickly repair your equipment. In-warranty repairs are made at no charge in accordance with the terms of the warranty. Out of warranty repairs are charged at a modest flat rate plus parts and shipping. Since it takes almost as much time and effort to determine what is wrong as it does to make the repair, there is a charge for an exact quotation. We will be happy to quote approximate charges by phone for out of warranty repairs.

RETURNING UNITS FOR REPAIR

You will save yourself time and trouble if you will follow the steps below:

A. DO NOT return equipment to the factory for repair without first contacting us by letter or by phone. We need to know the nature of the problem, the model number and the serial number of the equipment. We also need a phone number where you can be reached 8 am to 4 pm (Mountain Standard Time).

B. After receiving your request, we will issue you a return authorization number (R.A.). This number will help speed your repair through our receiving and repair departments. The return authorization number must be clearly shown on the outside of the shipping container.

C. Pack the equipment carefully and ship to us, shipping costs prepaid. If necessary, we can provide you with the proper packing materials. UPS is usually the best way to ship the units. Heavy units should be "double-boxed" for safe transport.

D. We also strongly recommend that you insure the equipment, since we cannot be responsible for loss of or damage to equipment that you ship. Of course, we insure the equipment when we ship it back to you.

Mailing address:

Lectrosonics, Inc.
PO Box 15900
Rio Rancho, NM 87174
USA

Shipping address:

Lectrosonics, Inc.
581 Laser Rd.
Rio Rancho, NM 87124
USA

Telephones:

Regular: (505) 892-4501
Toll Free (800) 821-1121
FAX: (505) 892-6243

World Wide Web: <http://www.lectrosonics.com>

Email: sales@lectrosonics.com

This page intentionally blank.

LIMITED ONE YEAR WARRANTY

The equipment is warranted for one year from date of purchase against defects in materials or workmanship provided it was purchased from an authorized dealer. This warranty does not cover equipment which has been abused or damaged by careless handling or shipping. This warranty does not apply to used or demonstrator equipment.

Should any defect develop, Lectrosonics, Inc. will, at our option, repair or replace any defective parts without charge for either parts or labor. If Lectrosonics, Inc. cannot correct the defect in your equipment, it will be replaced at no charge with a similar new item. Lectrosonics, Inc. will pay for the cost of returning your equipment to you.

This warranty applies only to items returned to Lectrosonics, Inc. or an authorized dealer, shipping costs prepaid, within one year from the date of purchase.

This Limited Warranty is governed by the laws of the State of New Mexico. It states the entire liability of Lectrosonics Inc. and the entire remedy of the purchaser for any breach of warranty as outlined above. NEITHER LECTROSONICS, INC. NOR ANYONE INVOLVED IN THE PRODUCTION OR DELIVERY OF THE EQUIPMENT SHALL BE LIABLE FOR ANY INDIRECT, SPECIAL, PUNITIVE, CONSEQUENTIAL, OR INCIDENTAL DAMAGES ARISING OUT OF THE USE OR INABILITY TO USE THIS EQUIPMENT EVEN IF LECTROSONICS, INC. HAS BEEN ADVISED OF THE POSSIBILITY OF SUCH DAMAGES. IN NO EVENT SHALL THE LIABILITY OF LECTROSONICS, INC. EXCEED THE PURCHASE PRICE OF ANY DEFECTIVE EQUIPMENT.

This warranty gives you specific legal rights. You may have additional legal rights which vary from state to state.

LECTROSONICS, INC.

581 LASER ROAD
RIO RANCHO, NM 87124 USA
www.lectrosonics.com