

# **MK-7 BUDDY-LINE®**

**Two-Diver Intercom**

## **User Guide**



***“Technology in Depth”***

## - Notice -

This manual and the information contained herein are provided for use as a maintenance and operation guide. No license or rights to manufacture, produce, and/or sell either the manual or articles described herein are given. Undersea Systems International, Inc., *dba* Ocean Technology Systems, reserves the right to change specifications without notice. It is recommended that all users read and fully understand this manual before using the MK-7 BUDDY-LINE®.

All statements, technical information, and recommendations herein are based on tests we believe to be reliable, but the accuracy or completeness thereof is not guaranteed; and the following is made in lieu of all warranties, expressed or implied, including the implied warranties of merchantability and fitness for purpose: Seller's and Manufacturer's only obligation shall be to replace such quantity of the product proved to be defective. Before using, the user shall determine the suitability of the product for intended use, and the user assumes all risk and liability whatsoever in connection therewith. Neither Seller nor Manufacturer shall be liable either in tort or in contract for any loss or damage—direct, incidental, or consequential—arising from the use of or the inability to use the product. No statement or recommendation not contained herein shall have any force or effect unless it is in an agreement signed by officers of the Seller and Manufacturer.

### **- IMPORTANT SAFETY NOTICE -** *(Please read before using product.)*

**IT IS ABSOLUTELY ESSENTIAL THAT ALL DIVERS ARE PROPERLY TRAINED AND EQUIPPED AND FULLY UNDERSTAND THE OWNER'S MANUAL BEFORE ATTEMPTING TO USE THE AQUACOM® MK-7 BUDDY-LINE®.**

**WHILE THE AQUACOM® MK-7 BUDDY-LINE® PROVIDES DIVERS WITH GOOD UNDERWATER COMMUNICATIONS, IT DOES NOT CHANGE OR ELIMINATE THE POTENTIAL HAZARDS OF DIVING!**

**Ocean Technology Systems** - 3133 W. Harvard St., Santa Ana, CA 92704, USA  
Telephone (714) 754-7848 - Toll-free (800) 550-1984 - Fax (714) 966-1639

# Table of Contents

Section 1, Introduction .....	1
Section 2, MK-7 BUDDY-LINE® Specifications: .....	2
Section 3, Functions & Features .....	3
3.1 Functions .....	3
3.2 Features .....	5
Table 3.1 (Recommended Line-Pull Signals) .....	5
Figure 3.1 (MK-7 Exploded view) .....	7
Figure 3.2 (Com-Rope® & EMA-2 assemblies) .....	7
Section 4, Operation .....	8
4.1 Setup for the Tender .....	8
4.2 Setup for the Diver(s) .....	8
Figure 4.1 (Com-Rope® setup).....	9
Section 5, Batteries .....	12
Section 6, Troubleshooting .....	13
Section 7, Maintenance .....	15
Section 8, Helpful Hints .....	16
<i>Important Safety Notes</i> .....	i,4,11,15,16
Warranty Information .....	17

# SECTION 1

## INTRODUCTION:

Congratulations! You have just purchased the finest, state-of-the-art hard-wire intercom in the world. Your new MK-7 BUDDY-LINE® two-diver air intercom represents state-of-the-art technology and innovation—the choice of discriminating divers throughout the world. Please take the time to read this User Guide. With proper care and use, your Ocean Technology Systems product will provide you with the ultimate in high-quality communications and reliability.

The MK-7 BUDDY-LINE® is a compact, self-contained two-diver air intercom providing clear communications between the operator and diver(s). The MK-7 BUDDY-LINE® offers four-wire (round-robin or open-microphone) type communications.

This manual will cover Specifications, Operating Instructions, Four-Wire Communications, Batteries, Helpful Hints, and Warranty Information.

These guidelines and illustrations are presented to assist you. If you need additional information, do not hesitate to confer with your local Ocean Technology Systems (OTS) Dealer or Representative. If you require service, contact Ocean Technology Systems, 3133 W. Harvard Street, Santa Ana, California, 92704, USA - Telephone (714) 754-7848, Fax (714) 966-1639, [www.oceantechnologysystems.com](http://www.oceantechnologysystems.com).

## SECTION 2

### 2.1 MK-7 BUDDY-LINE® SPECIFICATIONS:

Input Voltage:	12 VDC.
Input Current:	600 mA peak.
Idle Current:	30 mA.
Frequency Response:	600 Hz to 10 kHz.
Microphone Type:	Dynamic
Power Output:	2 watts RMS.
Battery Type:	Eight AA Alkaline batteries (Alkaline only).
Battery Life:	12 hours using eight AA Alkaline batteries.
Battery Options:	RB-11 NiMH rechargeable battery pack. RC-16 battery charger (charging time: 14 hours).
Housing:	Injection-molded, high-impact plastic.
Size:	Height: 6.750" from bottom to top of connector Width: 4.250" from latch to latch Depth: 2.750" from front knob to rear buckle
Weight:	1.0 pounds, without batteries.
ComRope Length:	Up to 1200 feet.
ComRope:	Nylon, static Kernmantle rope specially designed with two 18 awg and two 24 awg wires manufactured in the center. Breaking point approximately 5800 lbs. for the rope and 500 lbs. for the communication wires.

## SECTION 3

### FUNCTIONS & FEATURES:

#### 3.1 Functions:

The MK-7 BUDDY-LINE® hard-wire system utilizes the “four wire” approach. It is a closed loop comparable to a telephone system. A typical hard-wire system consists of a surface intercom, a headset with a boom microphone, a Com-Rope® (set up for four wires, shielded or true spiral four), a diver microphone/earphone assembly, a mask microphone, and some sort of diving mask with accommodations for a microphone. The MKII-G AGA full-face mask is what most professionals prefer, according to our statistics. A hard-wire system requires a physical connection (i.e., umbilical/Com-Rope®) between the listener and talker. The signal travels over the communication Com-Rope®.

Most hard-wire intercoms can be configured for either two- or four-wire operations. Four-wire communications is defined as a duplex communication route. Two wires provide the uplink signal path, and two additional wires provide the downlink path. This allows everyone to be online simultaneously (similar to a telephone conference call). Since you never cut off the diver while talking, as is the case with a two-wire system, the four-wire system provides the safer approach of the two configurations. Due to the increased efficiency achieved with a four-wire system (duplex) and its simplicity of use, the MK-7 is designed for four-wire operation only.

The standard MK-7 configuration functions as follows: After the system is powered up and all connections are properly made, the tender’s speech is picked up by the boom microphone located on the headset. The voice is amplified by the upper electronic module and routed through the Com-Rope®. Connected to the Com-Rope® at the diver’s end is the earphone/microphone assembly (typically an EMA-2). The tender’s speech is reproduced by the earphone part of the EM cable. When the diver speaks, his voice is picked up by the mask microphone located inside the mask being used. The voice is routed through the Com-Rope®, received by the upper electronic module, amplified, and then routed to the tender’s headset. If a second diver is on-line he will hear and talk as well in the same manner. The volume of the tender and diver(s) is controlled by separate volume controls on the outside of the upper electronic module.

## **- IMPORTANT SAFETY NOTE -**

**IT IS EXTREMELY IMPORTANT THAT THE DIVERS ARE DRESSED OUT IN A MANNER THAT WILL STRAIN-RELIEVE THE COM-ROPE®. COMMERCIAL DIVE SCHOOLS TYPICALLY INSTRUCT TO HAVE THE COM-ROPE® TETHERED TO THE DIVER'S HARNESS OR BUOYANCY COMPENSATOR WITH A QUICK RELEASE. IF SOMEONE PULLS ON THE COM-ROPE® AND THE DIVER LOSES CONTROL OF THE COM-ROPE®, THE PULL IS ON THE HARNESS, NOT ON THE FULL-FACE OR DIVE MASK. THIS WILL ELIMINATE ACCIDENTAL REMOVAL OF THE DIVER'S MASK.**

**ADDITIONALLY, THE DIVERS SHOULD BE DRESSED OUT TO ALLOW A QUICK DISCONNECT FROM THE COM-ROPE® IF THE OCCASION ARISES WHERE A DIVER MUST FREE HIMSELF FROM THE COM-ROPE®.**

**IN THE EVENT DIVERS AND THE SURFACE TENDER LOSE VOICE COMMUNICATIONS, BOTH SHOULD HAVE IN PLACE A BACK-UP ROPE-PULL SYSTEM FOR COMMUNICATION. SEE TABLE 3.1 FOR THE LINE-PULL SYSTEM RECOMMENDED BY OCEAN TECHNOLOGY SYSTEMS.**

**Table 3.1: Recommended Line-Pull Signals<sup>1</sup>**

From Tender to Diver		Searching Signals (Without Circling Line)	
1 Pull	"Are you all right?" When diver is descending, one pull means "Stop."	7 Pulls	"Go on (or off) searching signals."
2 Pulls	"Going Down." During ascent, two pulls mean "You have come up too far; go back down until we stop you."	1 Pull	"Stop and search where you are."
3 Pulls	"Stand by to come up."	2 Pulls	"Move directly away from the tender if given slack; move toward the tender if strain is taken on the life line."
4 Pulls	"Come up."	3 Pulls	"Face your umbilical, take a strain, move right."
2-1 Pulls	"I understand" or "Talk to me."	4 Pulls	"Face your umbilical, take a strain, move left."
3-2 Pulls	"Ventilate."		
4-3 Pulls	"Circulate."		
From Diver to Tender		Searching Signals (With Circling Line)	
1 Pull	"I am all right." When descending, one pull means "Stop" or "I am on the bottom."	7 Pulls	Same
2 Pulls	"Lower" or "Give me slack."	1 Pull	Same
3 Pulls	"Take up my slack."	2 Pulls	"Move away from the weight."
4 Pulls	"Haul me up."	3 Pulls	"Face the weight and go right."
2-1 Pulls	"I understand" or "Talk to me."	4 Pulls	"Face the weight and go left."
3-2 Pulls	"More air."		
4-3 Pulls	"Less air."		
Special Signals from the Diver		Emergency Signals from the Diver	
1-2-3 Pulls	"Send me a square mark."	2-2-2 Pulls	"I am fouled and need the assistance of another diver."
5 Pulls	"Send me a line."	3-3-3 Pulls	"I am fouled but can clear myself."
2-1-2 Pulls	"Send me a slate."	4-4-4 Pulls	"Haul me up immediately."
<b>All emergency signals should be answered as given except 4-4-4.</b>			

<sup>1</sup>Source: *U.S. Navy Diving Manual*



### 3.2 Features:

Note: See Figures 3.1 & 3.2.

<u>ITEM</u>	<u>DESCRIPTION</u>
1.	Headset with boom microphone
2.	Noise-canceling boom microphone
3.	Female Amp connector on the headset side
4.	Record out plug (male mini—line level)
5.	Small o-ring
6.	Male Amp connector on upper electronic module
7.	Gripper ring
8.	Female Amp connector (for Com-Rope®)
9.	Upper electronic module
10.	Tender volume control
11.	Diver 1 and Diver 2 volume controls
12.	Housing large o-ring
13.	Battery snap
14.	Eight-cell battery holder (SP-8)
15.	Stainless steel latch
16.	Lower housing (battery compartment)
17.	Male Com-Rope® Amp connector
18.	Com-Rope®
19.	Hi-Use® connector (goes to Com-Rope®)
20.	Hi-Use® connector (goes to diving mask)
21.	EMA-2 ear/mic. assembly for AGA See Figure 4.1, Page 8
22.	Dual earphones of EMA-2
23.	Hot Mic® microphone element
24.	Hi-Use® connector (connects to EMA-2)

**NOTE: THE COM-ROPE® CAN BE SET UP FOR MANY TYPES OF DIVING MASKS AND/OR EARPHONE/MICROPHONE ASSEMBLIES. IF YOU ARE NOT SURE ABOUT WHAT TO ORDER, CONSULT AN OTS DEALER OR OTS DIRECT FOR THE CONFIGURATION YOU REQUIRE.**

# EXPLODED VIEW OF MK-7 BUDDY-LINE® SYSTEM

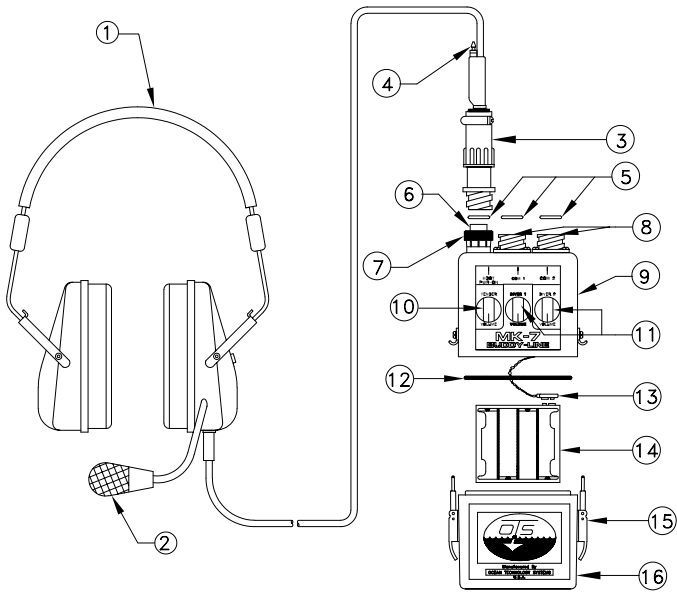


Figure 3.1, MK-7 Buddy-Line®

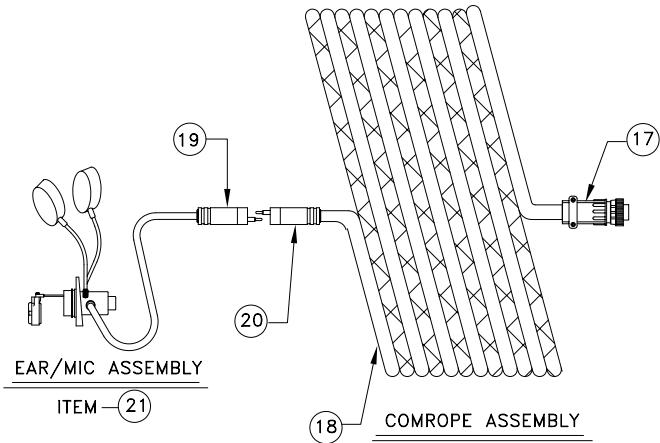


Figure 3.2, Com-Rope® & EMA-2 assemblies

## SECTION 4

### OPERATION:

Before operating the MK-7, make certain the batteries are fresh or fully charged (see battery section). Ensure that all o-rings are in place and free of debris or foreign matter. Verify that all connections are securely fastened. Ensure the divers are dressed in such a manner that the umbilical/Com-Rope® will not snag. These procedures should be performed before each dive.

After you have completed the above steps, proceed as follows:

#### 4.1 SETUP FOR THE TENDER

- 4.1.1 Place the headset with boom microphone on your head so the two earphones are comfortably over your ears and the boom microphone is within 1/4" of your lips.
- 4.1.2 Connect the Amp connector located on the headset to the upper electronic module's Amp connector (see Figure 1, # 3 & 6).
- 4.1.3 Locate the Amp connector on the Com-Rope® and mate it to the Amp connector located on the top of the electronic module (see Figure 1, #8 and Figure 2, #17).
- 4.1.4 Secure the MK-7 to your belt (or wherever is most comfortable) by using the belt holder located on the back of the upper module.

**NOTE: IT IS RECOMMENDED THAT THE MK-7 MAIN MODULE HAVE SOME SORT OF STRAIN RELIEF AT THE TENDER'S END TO KEEP THE DIVER AND/OR COM-ROPE® FROM PUTTING EXCESS STRAIN ON THE CONNECTORS. EXCESS STRAIN ON THE CONNECTORS WILL CAUSE DAMAGE TO THE MK-7 AND/OR LOSS OF COMMUNICATIONS.**

#### 4.2 SETUP FOR THE DIVER(S)

- 4.2.1 Although the MK-7 Buddy-Line® can be used with various full-face or mouth masks, the most common full-face mask chosen is

the AGA full-face mask. The following are the set up procedures, if you have an AGA full-face mask. You should have already connected the headset and Com-Ropes® if you are following this manual (see 4.1, Setup for the Tender). We are also assuming you ordered and have the Com-Rope® set up for four-wire communications with a male Amp on one end and a Hi-Use® connector on the other end.

- 4.2.2. The MKII-G AGA full-face mask should already have the EMA-2 earphone/microphone assembly installed. If not, install it per the EMA-2 instruction manual.
- 4.2.3. Locate the Hi-Use® connector on the Com-Rope® and connect it to the Hi-Use® connector on the EMA-2. Ensure the Hi-Use® connectors are free of debris and lightly lubricated with a good-grade silicone.
- 4.2.4. Strain-relieve the Com-Rope® in two places on the diver's end. The first point should have some sort of "D-ring" heavily taped or tied about 4 feet from the Hi-Use® connector. This "D-ring" will be clipped onto the diver's harness or buoyancy compensator via a carabiner or some good quality, quick disconnect. This connection will help prevent the Com-Rope® from pulling on the diver's full-face mask (see Figure 4.1).

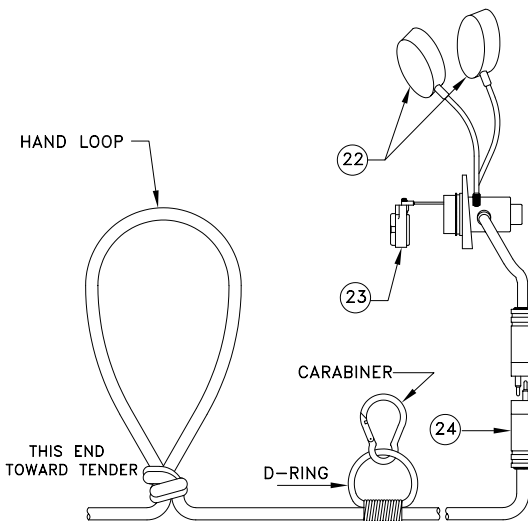


Figure 4.1

- 4.2.5 The diver should tie the Com-Rope<sup>®</sup>, making a hand loop about 6 inches in diameter about 10 feet from the Hi-Use<sup>®</sup> connector (Figure 4.1). The diver will now be secured to his harness or buoyancy compensator and have a hand-hold he should hold during the dive. The diver should have control of the Com-Rope<sup>®</sup> throughout the dive. He should feel what is going on, giving topside directions when slack needs to be taken up or when more rope needs to be paid out. If the diver lets go of the hand-hold, the carabiner–D-ring combination will absorb the tension. In the event the diver must break lose of the Com-Rope<sup>®</sup> totally (i.e., in an emergency), the diver should let go of the Com-Rope<sup>®</sup> hand-hold and unsnap the device holding the D-ring. The diver then should let topside know what is going on before he detaches the Hi-Use<sup>®</sup> connectors. The diver then should proceed directly to the surface and reestablish communications (see notes on page 10).
- 4.2.6. The tender should ensure the Com-Rope<sup>®</sup> on his end is also strain-relieved in some manner. This will prevent the diver or topside tender from pulling on the connections made on the MK-7 BUDDY-LINE<sup>®</sup> electronic module.
- 4.2.7 After all connections are made, you can test the system. Have the diver(s) don the full-face mask. The tender will don the headset with boom microphone. The boom microphone should be positioned 1/4” from the tender’s lips (keep the microphone as dry as possible).

The MK-7 BUDDY-LINE<sup>®</sup> will power up the moment the headset and boom microphone are connected. There is not an *On/Off* switch. As long as the headset is plugged in, the MK-7 will be *On* and drawing power.

The tender controls all volumes. The volume control labeled “Tender” controls the volume of the tender’s voice to both divers. The individual volume controls labeled “Divers” controls what the tender will hear from each diver. The tender should adjust all volumes a little at a time until everyone can hear well. Rotating any control clockwise brings the volume *up*. Counterclockwise brings the volume *down*.

**NOTE**

**IF THE DIVER IS SET UP PROPERLY, THE TENDER'S PULLING ON THE COM-ROPE SHOULD PULL ON THE DIVER'S HAND LOOP FIRST. IF THE DIVER IS NOT HOLDING THE HAND LOOP, THE STRAIN SHOULD GO TO THE BELT "D-RING," NOT THE DIVER'S FULL-FACE MASK OR DIVER'S EARPHONE/MICROPHONE ASSEMBLY.**

**ENSURE THE DIVER IS DRESSED OUT SO THAT NO UNNECESSARY LOOPS THAT CAN ENTANGLE HIM ARE PRESENT.**

**NOTE**

**EXCESSIVE VOLUME WILL CAUSE DISTORTION AND HINDER COMMUNICATIONS. ADJUST ALL VOLUMES SLOWLY UNTIL EVERYONE HEARS CLEARLY. A GOOD RULE TO FOLLOW IS, "LESS VOLUME IS BETTER THAN TOO MUCH NOISE."**

**- IMPORTANT SAFETY NOTE -**

**THE DIVER SHOULD BE DRESSED IN SUCH A MANNER THAT HE CAN DISCONNECT FROM THE COM-ROPE® AND DISCONNECT FROM THE EARPHONE/MICROPHONE ASSEMBLY. IF IT BECOMES NECESSARY TO MAKE AN EMERGENCY ASCENT AND THE DIVER HAS TO BREAK VOICE COMMUNICATIONS AND LINE PULLS CANNOT BE ESTABLISHED, THE DIVER SHOULD SURFACE AND ESTABLISH COMMUNICATIONS AS SOON AS POSSIBLE.**

**- SAFETY NOTE -**

**IT IS NOT RECOMMENDED TO RELY SOLELY ON MK-7 BUDDY-LINE® VOICE COMMUNICATIONS. A BACK UP SAFEGUARD, SUCH AS LINE PULLS, SHOULD BE ESTABLISHED AND PRACTICED.**

**NO POWER!**

**IF YOU CONNECT THE HEADSET WITH BOOM MICROPHONE AND THE MK-7 DOES NOT POWER UP, VERIFY THE BATTERIES ARE FRESH (NEW) AND THE BATTERY SNAP IS CONNECTED. IF USING RECHARGEABLE BATTERIES, VERIFY THEY HAVE BEEN FULLY CHARGED.**

## SECTION 5

### BATTERIES:

The MK-7 BUDDY-LINE® is provided with an SP-8 eight-cell AA battery holder located in the lower housing (Figure 1, #14). It is recommended to use Alkaline batteries only. To install the batteries, follow these steps:

1. Locate the latches on the sides of the lower housing (Figure 1, #15). Pull up on the latches simultaneously.
2. Separate the upper and lower modules while being careful not to damage the battery snaps, wires, or o-ring (Figure 1, #12 & 13).
3. Remove the eight-cell battery holder (Figure 1, #14) and install eight fresh, 1.5 volt Alkaline AA batteries per the diagram on the SP-8.
4. Carefully connect the wire harness connector (Figure 1, #13) to the SP-8 battery holder. Verify that both spring-type connectors mate firmly and that you have not accidentally bent the connectors.
5. Verify that the o-ring (Figure 1, #12) is in place, lightly lubricated with a good-grade silicone grease, and that it is free of debris.
6. Insert the SP-8 battery holder into the lower housing. Carefully mate the upper and lower housings together. Ensure that you do not pinch any wires and that nothing is on the o-ring or mating surface.
7. Connect the latches from the lower housing to the upper strikes. Pull down the latches simultaneously until fully down. This will spring-load the upper and lower assemblies.
8. Look all around the MK-7 to verify the upper and lower assemblies appear evenly attached with no high spots.

## SECTION 6

### TROUBLESHOOTING:

**Problem:**                      **Corrosion buildup on the connectors.**

**Possible Cause and Remedy**

- PC**      Failure to wash and lubricate connectors after use in salt water.
- R**        Remove salt water residue or corrosion from the unit by wiping with a cloth saturated in warm, fresh water (detergent if necessary). Periodically check the connectors to ensure they are clean and lightly lubricated with a high-grade silicone grease.

**Problem:**                      **Poor or no communications.**

**Possible Cause and Remedy**

- PC**      Batteries are bad or dead.
- R.**        Replace AA batteries with fresh ones. Charge the battery pack if it is a rechargeable pack.
- PC**      Connectors are not properly connected or are damaged.
- R**        Clean and check all connectors. Replace damaged ones.
- PC**      Headset with boom microphone is not plugged in.
- R**        Connect headset; unit should power up.
- PC**      Diver(s) cannot hear topside, but topside can hear divers.
- R**        Check topside microphone and make sure the tender volume is turned *on* and the microphone is about 1/4" from the tender's lips.
- PC**      Diver(s) can hear topside, but topside cannot hear the divers.
- R**        Check all connections. Check the diver's microphone. Verify the diver's volume controls are turned up.
- PC**      Tender and divers hear light music over the intercom.
- R**        This happens if you are using an unshielded umbilical and are close to a transmitting station. The only way to solve this problem is to change to a shielded Com-Rope®.



**Problem:**      **A strong but distorted signal is received.**

**Possible Cause and Remedy**

- PC**      You are speaking too loudly into the microphone.
- R**        Speak with more moderate volume, slowly and distinctly.
- PC**      Your volume controls are set at too high a level.
- R**        Slowly adjust your volumes as to not overdrive the system.

## SECTION 7

### MAINTENANCE:

The MK-7 BUDDY-LINE® is virtually maintenance-free and should give you great service during the life of the unit. The following are recommended service tasks:

- 1) Try to keep the headset with boom microphone as dry as possible.
- 2) Do not store the Com-Rope® in a sealed container without drying it first. It will mold if not dry.
- 3) If the Com-Rope® is used in salt water, soak it in freshwater for about five minutes before drying.
- 4) If salt water gets onto the headset and/or MK-7, wipe it with a clean cloth and freshwater. Warm water and a mild soap solution can be used. Wipe it off with freshwater before drying.
- 5) Disconnect all connectors when storing.
- 6) Lightly lubricate the Hi-Use® connector with a good-grade silicone grease.
- 7) If the MK-7 is not going to be used for a long period of time, the batteries should be removed.

**- PLEASE NOTE -**

**ALTHOUGH THE MK-7 BUDDY-LINE® IS A RUGGEDLY CONSTRUCTED PIECE OF YOUR DIVING GEAR, IT SHOULD BE TREATED LIKE AN ELECTRONIC PIECE OF EQUIPMENT!**

**!!! CAUTION !!!**

**USE ANY STANDARD SAFE ENTRY INTO THE WATER, BUT BE AWARE OF THE ADDITIONAL EQUIPMENT YOU ARE WEARING. BECAUSE THE COM-ROPE® CAN SNAG ON THINGS, BE AWARE OF OBSTACLES IN THE AREA AND AVOID THEM. MAKE SURE THERE IS NOTHING IN THE WATER THE DIVER MAY HIT UPON ENTRY.**

## SECTION 8

### HELPFUL HINTS:

- A. All training should be conducted in a controlled environment such as a swimming pool.
- B. All personnel who intend to use this system should read and fully understand this manual and equipment before they use it.
- C. Divers should be dressed in such a manner that they can disconnect quickly from the Com-Rope® and/or earphone/mic. assembly.
- D. The Com-Rope® should be strain-relieved at both the diver's and tender's end. It is extremely important the divers have the Com-Rope® strain-relieved to their harness or buoyancy compensator and not to the full-face mask.
- E. The topside tender is in control of the rope topside, ensuring that it is not getting tangled and that it is not a safety hazard for those walking about.
- F. The divers should be aware of their surroundings, making sure they do not become entangled.
- G. When a diver must enter the water by jumping into the water, the following is the recommended procedure: The diver should step up to the end of the pier or edge from which he is about to jump. The Com-Rope® will be connected to the diver, and the diver will be holding onto the hand loop he has made on the Com-Rope®. The tender should lower enough slack so as to just touch the water. The diver looking out toward the horizon will start his giant step. As the diver steps off, he turns to face the tender holding on to the Com-Rope®. When he enters the water, he should be looking at the tender.

### - SAFETY NOTE -

**IF THE DIVER PLANS TO MAKE A JUMP, IT IS EXTREMELY IMPORTANT THE TENDER DOES NOT FORGET TO PUT SLACK IN THE COM-ROPE®. THE COM-ROPE® SHOULD JUST TOUCH THE WATER WHILE STILL BEING ATTACHED TO THE DIVER. THIS GIVES THE DIVER THE AMOUNT OF ROPE NECESSARY TO HIT THE WATER WITH SOME SLACK. IF THERE IS NO SLACK IN THE ROPE, THE DIVER COULD BE SERIOUSLY HURT BY BEING HUNG OR JARRED.**

**Undersea Systems International**  
*dba*  
**Ocean Technology Systems**

**LIMITED WARRANTY**

**The MK7 BUDDY-LINE® is fully warranted against defects in materials and workmanship for a period of one year from the time of purchase. Our obligation under this warranty is limited to the replacement of any part or parts that prove to our satisfaction to have been defective and that have not been misused or carelessly handled. Labor is warranted for one year from time of purchase. The complete unit and/or part must be returned to our factory, transportation charges prepaid.**

**We reserve the right to decline responsibility where repairs have been made or attempted by other than an Ocean Technology Systems factory-trained service center or properly trained personnel. In no event shall Ocean Technology Systems be liable for consequential damages.**

**Ocean Technology Systems**

**3133 W. Harvard St., Santa Ana, CA 92704, USA**

**Telephone (714) 754-7848 - Toll-free (800) 550-1984 - Fax (714) 966-1639**

**[www.oceantechnologysystems.com](http://www.oceantechnologysystems.com), [ots@oceantechnologysystems.com](mailto:ots@oceantechnologysystems.com)**